

# Glass door system

Vorbereitung  
Hydraulischer Eckbeschlag - Türschließer (Set)

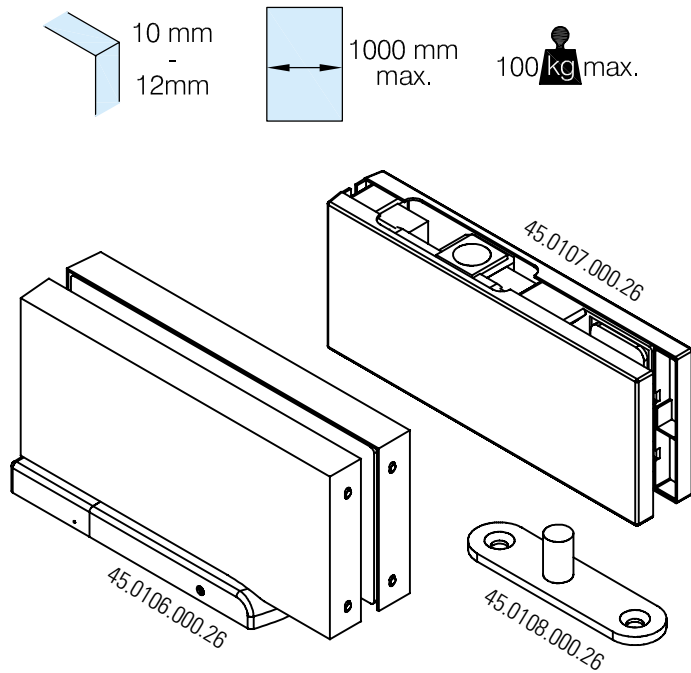
Art.Nr. : 29.5049.001.26

Preperation  
Hydraulic Patch Fitting (Set)

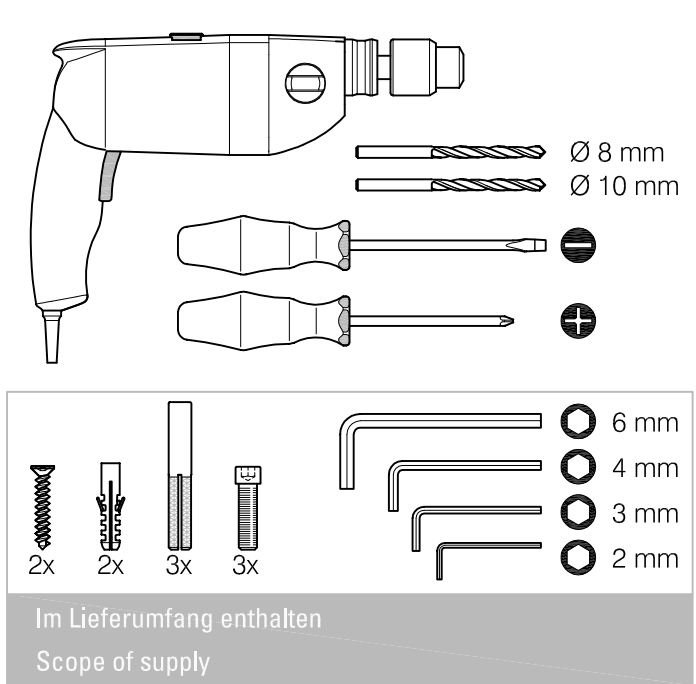
Art.Nr. : 29.5049.002.26

Art.Nr. : 29.5049.003.26

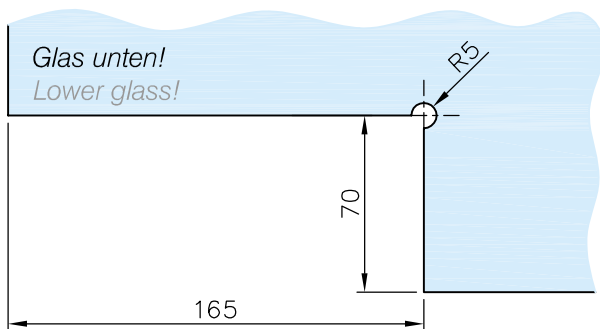
Ausführung:  
Options:



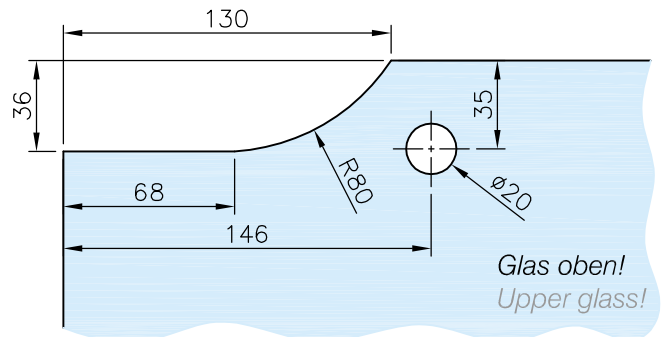
Montagewerkzeug und Material:  
Mounting tools and supply:



Glasausschnitt für: 45.0106.000.26  
Glass cut out for:



Glasausschnitt für: 45.0107.000.26  
Glass cut out for:

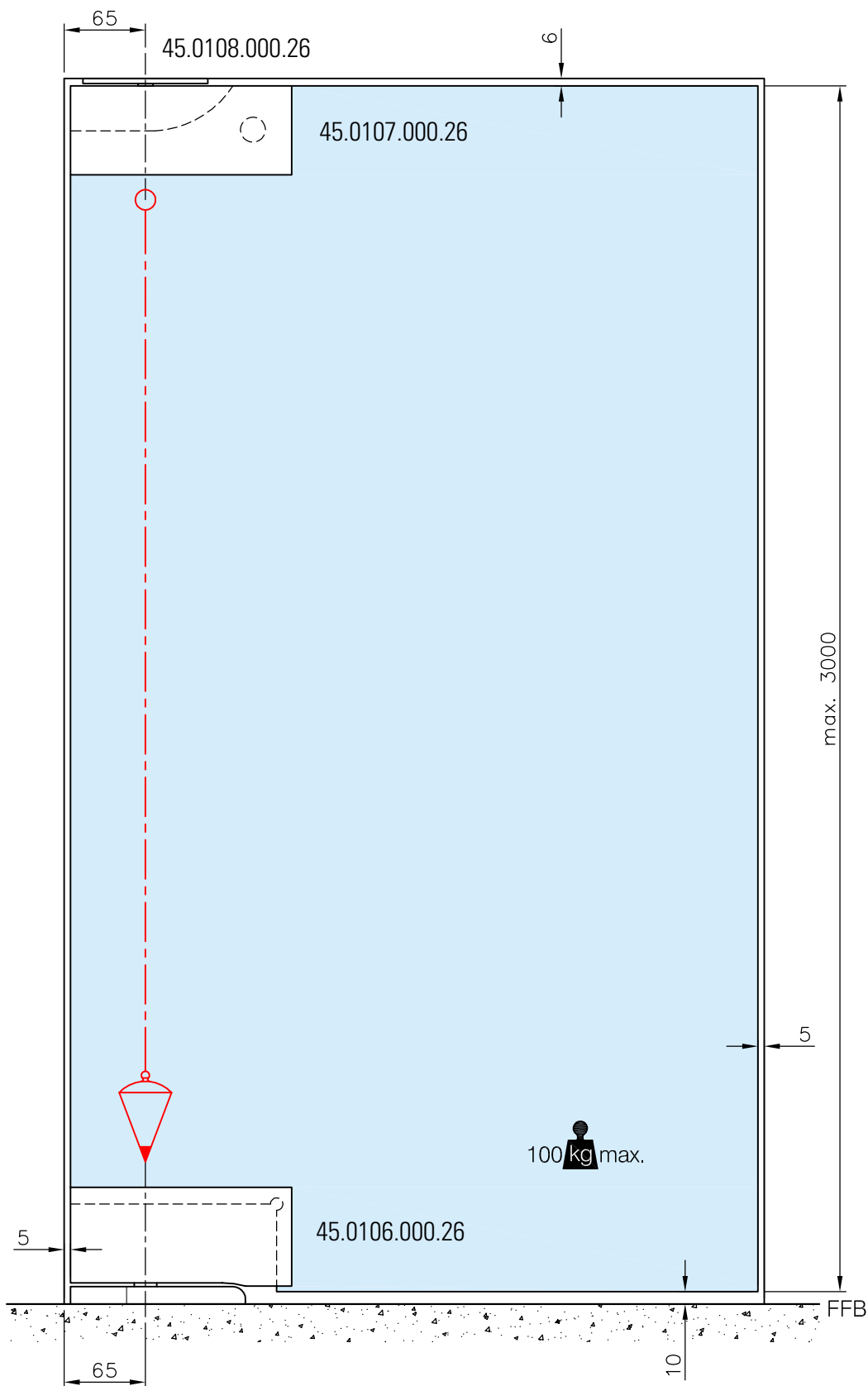


**Wichtig:** Vor der Montage das Glas im Bereich der Klemmfläche mit handelsüblichem Glasreiniger reinigen.  
!!! Keine Verdünnung (Lösemittel) verwenden!

**Important:** The glass clamping area must be cleaned with a standard glass cleaning fluid before install the lock.  
!!! Do not use thinners (solvents)!

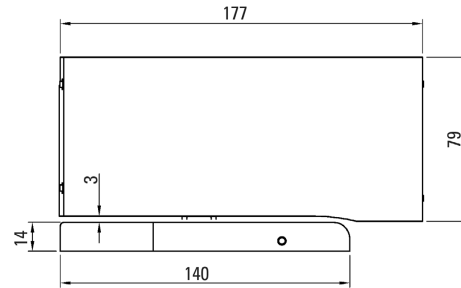
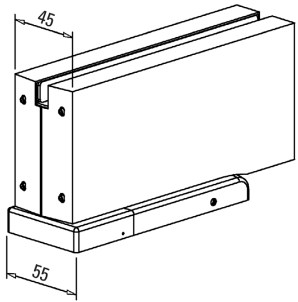
Glastür Montage:  
Glass door installation:

Stand 06.2018

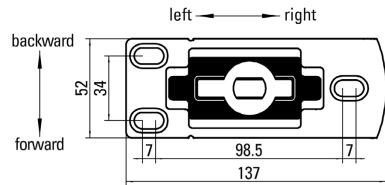


With reservation of printing errors and technical changes. / Druckfehler und technische Änderungen vorbehalten. / Nous ne sommes pas responsable des erreurs d'impression. / Drukfouten en technische veranderingen voorbehouden.

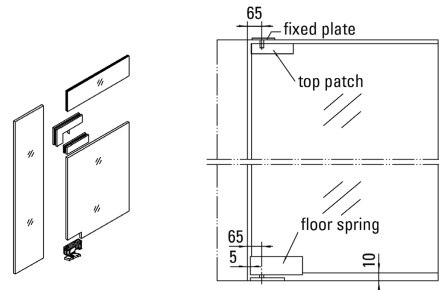
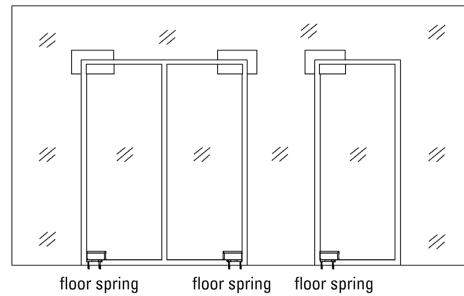
## Appearance & Dimension



suitable door width ≤ 1000 mm  
 max. load capacity 100 kg  
 dimension 173 x 52 x 95 mm  
 (cover plate not included)



Unique designed base adjustable for:  
 ± 5 mm backward and forward  
 ± 7 mm left and right  
 ± 5° alignment adjustment



When used with top patch or top pivot, pivot center must be aligned with floor spring pivot center.

Determine the top & bottom shaft center and the installation position for base, keep suitable gap on the side as picture shows.

With reservation of printing errors and technical changes • 15.06.2018

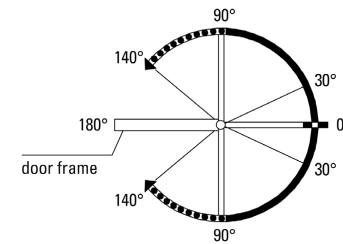
[www.g-fittings.com](http://www.g-fittings.com)

45.0106.000.26

## Oil patch fitting - floor mounted Installation instructions

Base adjustable in all direction

90° hold-open max. opening degree 140°

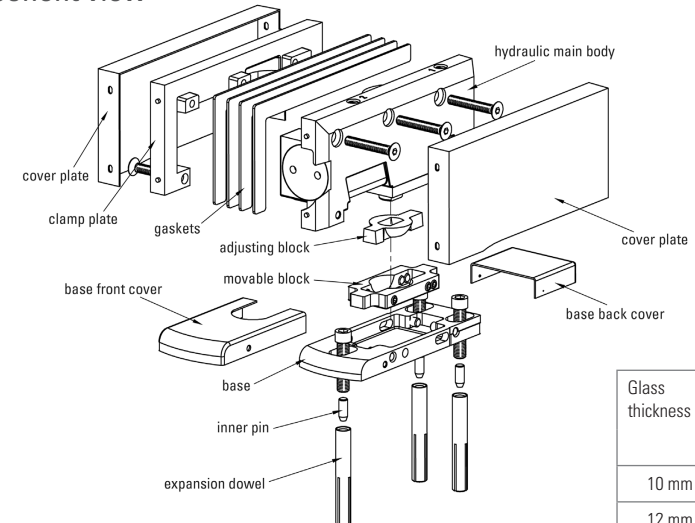


■ Back to close position section  
 ●● Hold-open section

### Features

- Close 0°
- Fast closing 90° - 30° (Section 1)
- Soft closing 30° - 0° (Section 2)
- Hold-open 140° - 90°
- Closing speed adjustable:
  - No.1 valve 90° - 30°
  - No.2 valve 30° - 0°

## Component view



Glass thickness	Gasket quantity and thickness	
	1 mm	2 mm
10 mm	2	2
12 mm	0	2

# Installation steps

